

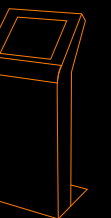
Museum Kiosk

Datasheet

Welcome to oemKIOSKS



Touch...The Sky



Museum

Design and simplicity

The Museum model was developed specifically for indoor use as stand up kiosk.

This model is manufactured in stainless steel AISI304 or painted steel (RAL Colors) using steel plate of 1,5mm to 2,5mm which ensures the stability and rigidity of all structure.

The area where the computer is installed and possible peripherals (card readers, coin acceptors, etc.), is protected with access through a security lock and includes three power plugs.

On side of display are two integrated speakers that fits smoothly in the all structure.

The Museum is normally equipped with a 17" XGA touch display (19", 22" or other sizes are possible).

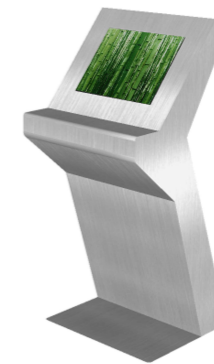
This Kiosk allows integrating a large number of peripheral devices (card readers, tickets printer, coin acceptors, etc.) without having to redesign large pieces which gives this model great versatility and increases the applications field.

The Museum can be equipped with a Atom CPU with a 160 GB hard drive, 1 Gb Ram Memory, a 128Mb graphic card and a 10/100 mb ethernet and Windows 7 Starter.

The Handy version of the museum kiosk was specially developed for people with handicaped.

Technical Specifications Museum Kiosk

Dimensions: H1200 x W500 x P90,150
Weight: aprox. 38 Kg.



Museum Handy

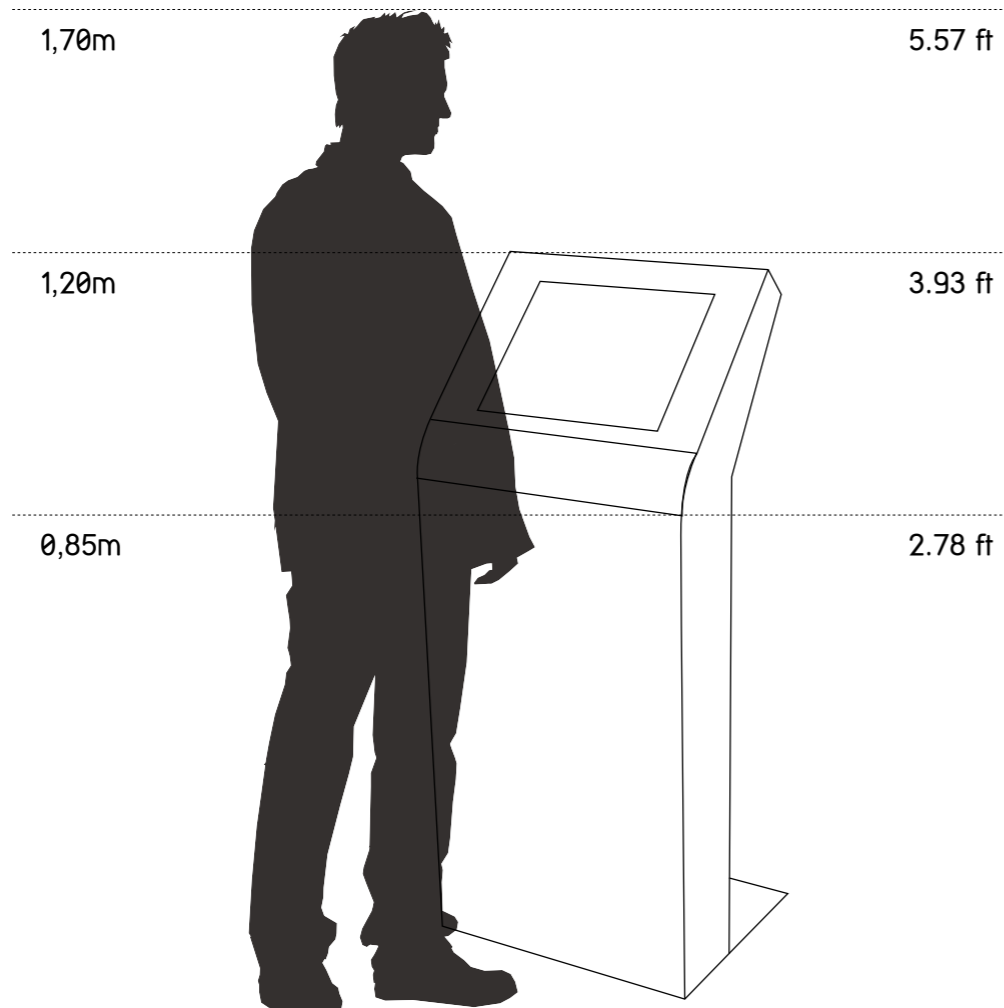


100% compatible
Front utilization



Museum

Distance comparison and main features



Type

Indoor

Materials

Painted Steel

Stainless Steel

MDF

Options

Webcam

Ticket Printer

Card Reader

Antivandalic Keyboard

Bar Code Scanner

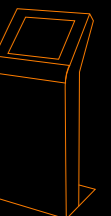
Handset Phone

Coin Validator

Bill Validator

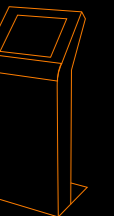
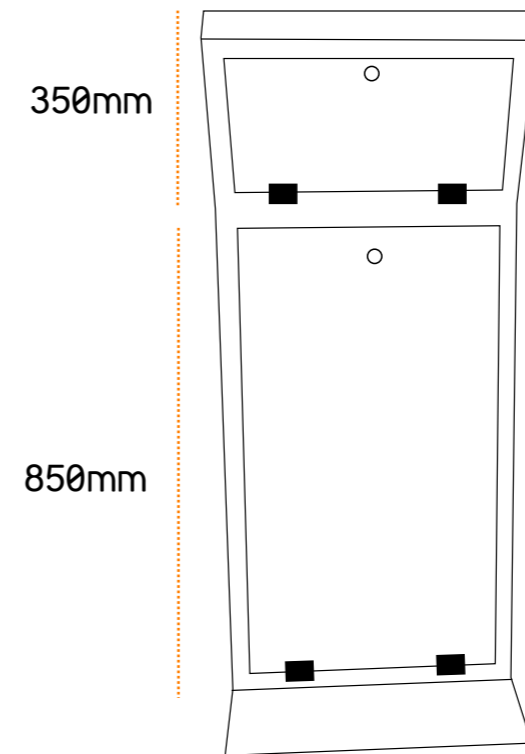
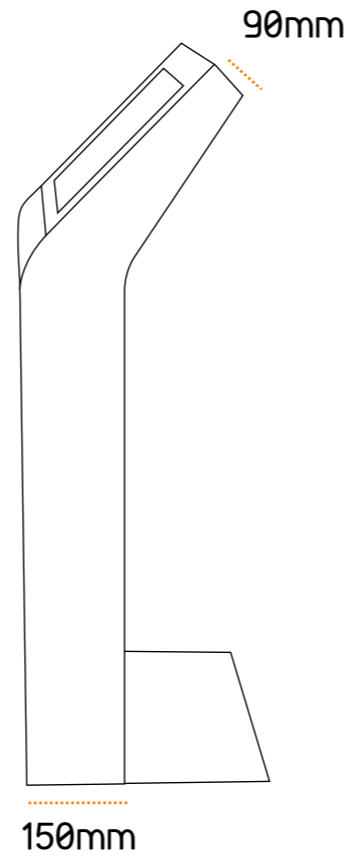
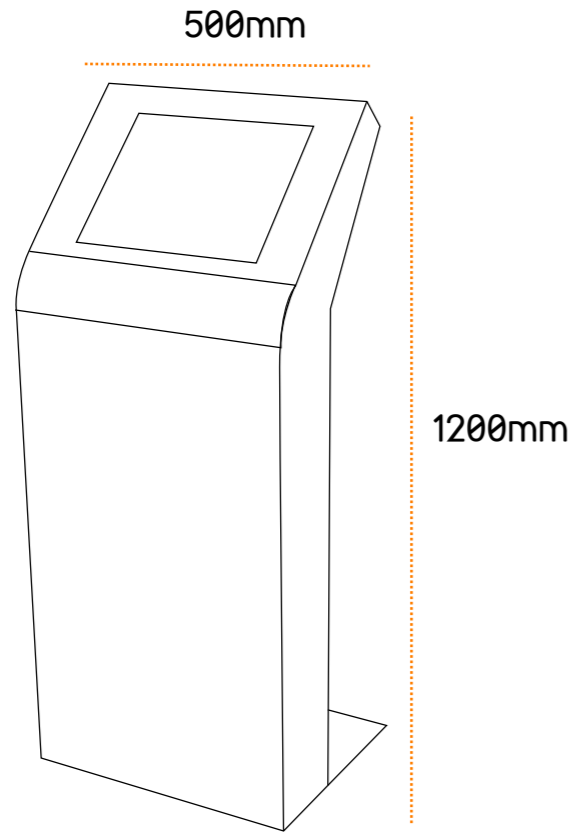
Ykiosk Software

Museum
Distance comparison and main features



Museum

Kiosk measures



Museum

Technical data

Dimensions:

- 17" Display (resolution: 1280 x 1024 Pixel)
- H1200 W500 D(90,150)

Weight:

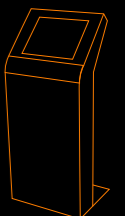
38 kg

Configuration:

- Design and simplicity
- Stainless steel AISI304 or painted steel (RAL Colors)
- Steel plate of 1,5mm to 2,5mm
- 17" XGA touchscreen display (resistive)
- Integrated speakers

Optional:

- 19" to 24" Displays
 - Atom or Dual Core PC computer
 - Microsoft Windows 7 Professional
 - Ykiosk software package
 - Touch screen (SAW - antivandalism)
 - Wireless networking - WLAN
 - Bluetooth functionality
 - Webcam
- Other components can be integrated changing kiosk dimensions: ticket printer, coin validator, bill validator, card readers, antivandalic keyboard, proximity sensor, etc.



oemKIOSKS | Your white label kiosk company

This document is provided only for information purposes. The presented information is subject to change without prior notice, given the constant evolution of content.
THE PARTTEAM GROUP is not responsible for any errors or omissions in this document, based on the information it contains, as a result of its publication.



oemKIOSKS | ParTEAM Group Portugal | Rua Nova da Nespereira, Pavilhão 10 | 4770 -287 Lagoa - Vila Nova de Famalicão
tel: +351 252 378 589 | +351 252 327 185 | fax: + 351 252 378 591 | Portugal
www.oemkiosks.com | oem@oemkiosks.com