

Kubik Kiosk

Datasheet

Welcome to oemKIOSKS

oem**KIOSKS**TM
Your white label kiosks company

Touch...The Sky



Kubik

A decorative piece of technology

The Kubik model was developed for public or private institutions to attend the clients where, somehow, a management service / waiting queues is needed. It is exclusively for indoor uses.

Through a 8,4" touchscreen (other dimensions available) the user can see what services are available and take the ticket.

Compared with a simple buttons kiosk, Rubik Touch has the advantage of being able to include more information on services because it is a touch screen with interactivity.

You can also configure the screen in standby mode (without any user touching the screen) setting for advertising, in video or still image, of the company / institution where the kiosk is installed.

The information paper with indications of the functions / services can be easily modified.

This model can be manufactured in MDF, stainless steel or painted steel (available in all RAL colors)

The Kubik touchscreen version can be equipped with an Intel Atom N450 CPU, 1.66gh processor, 150GB hard drive, 1 Gb Ram, 10/100 ethernet Card, WiFi, and Windows 7 Home Premium.

Technical Specifications Rubik Kiosk

Dimensions: H1000 x W280 x D280
Weight: aprox. 10 Kg.



Kubik Touch



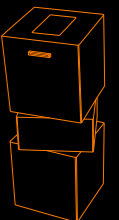
Kubik

The Kubik can have any RAL color and the cubes are easily adjustable by the user and can be placed in various positions.

World
Design
Innovation

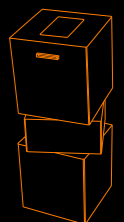
A decorative piece of technology

Kubik



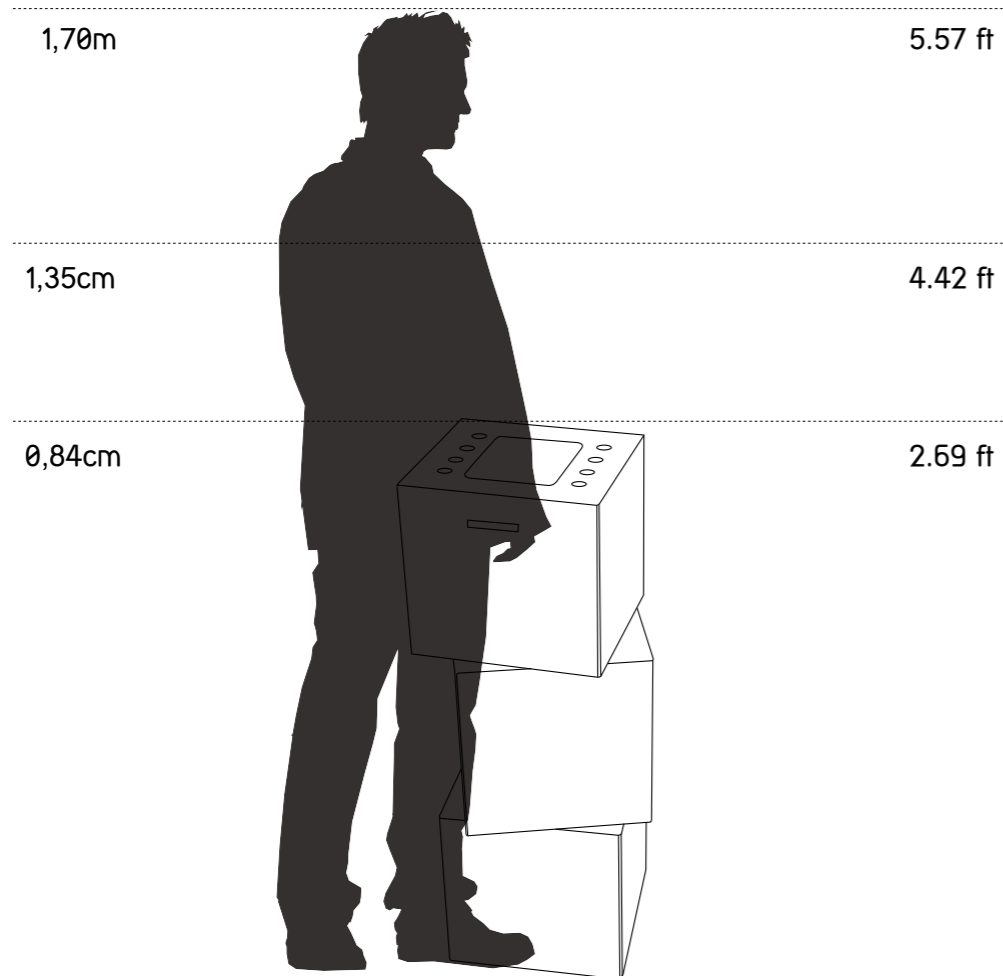
Kubik

Different Settings of the kiosk



Kubik

Distance comparison and main features



Type

Indoor

Materials

Painted Steel

Stainless Steel

MDF

Options

Ticket Printer

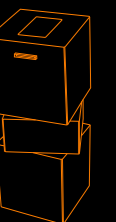
Card Reader

Bar Code Scanner

Chip Reader

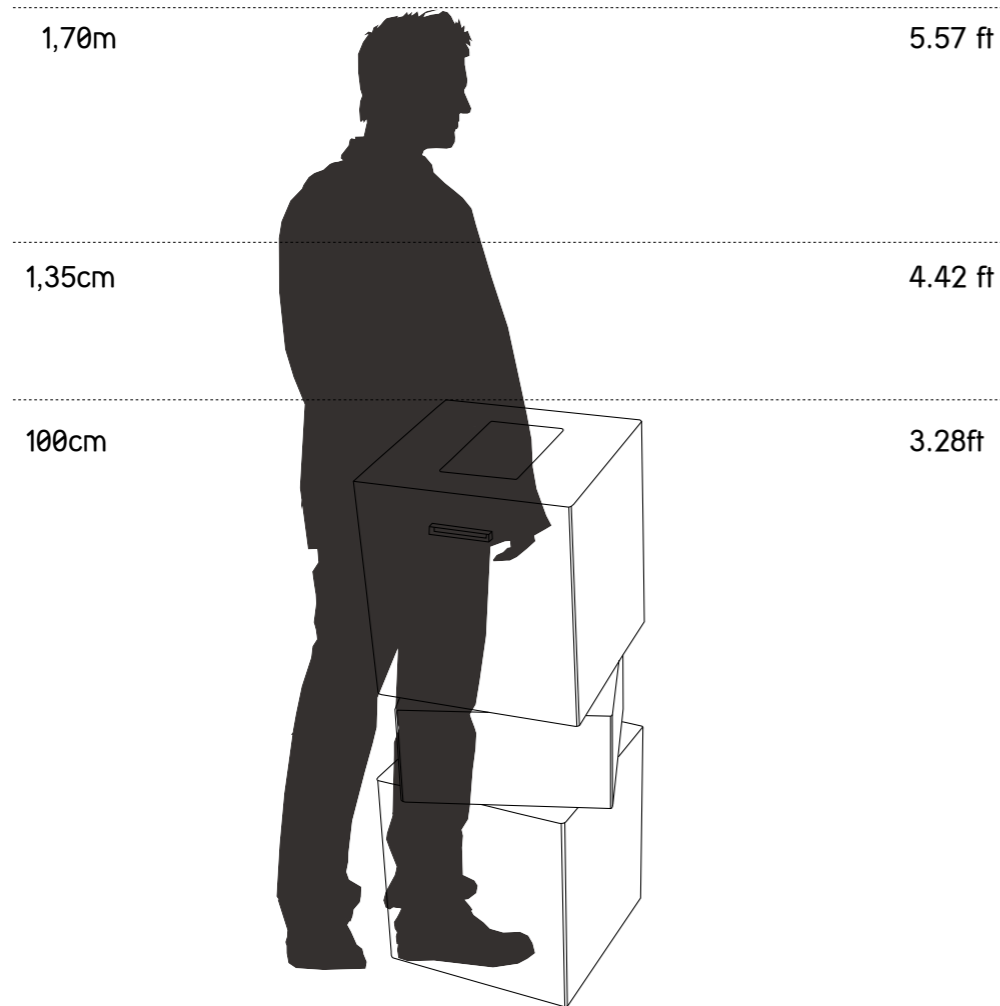
Distance comparison and main features

Kubik



Kubik

Distance comparison and main features



Type

Indoor

Materials

Painted Steel

Stainless Steel

MDF

Options

Ticket Printer

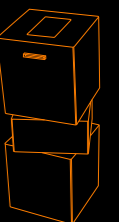
Card Reader

Bar Code Scanner

Chip Reader

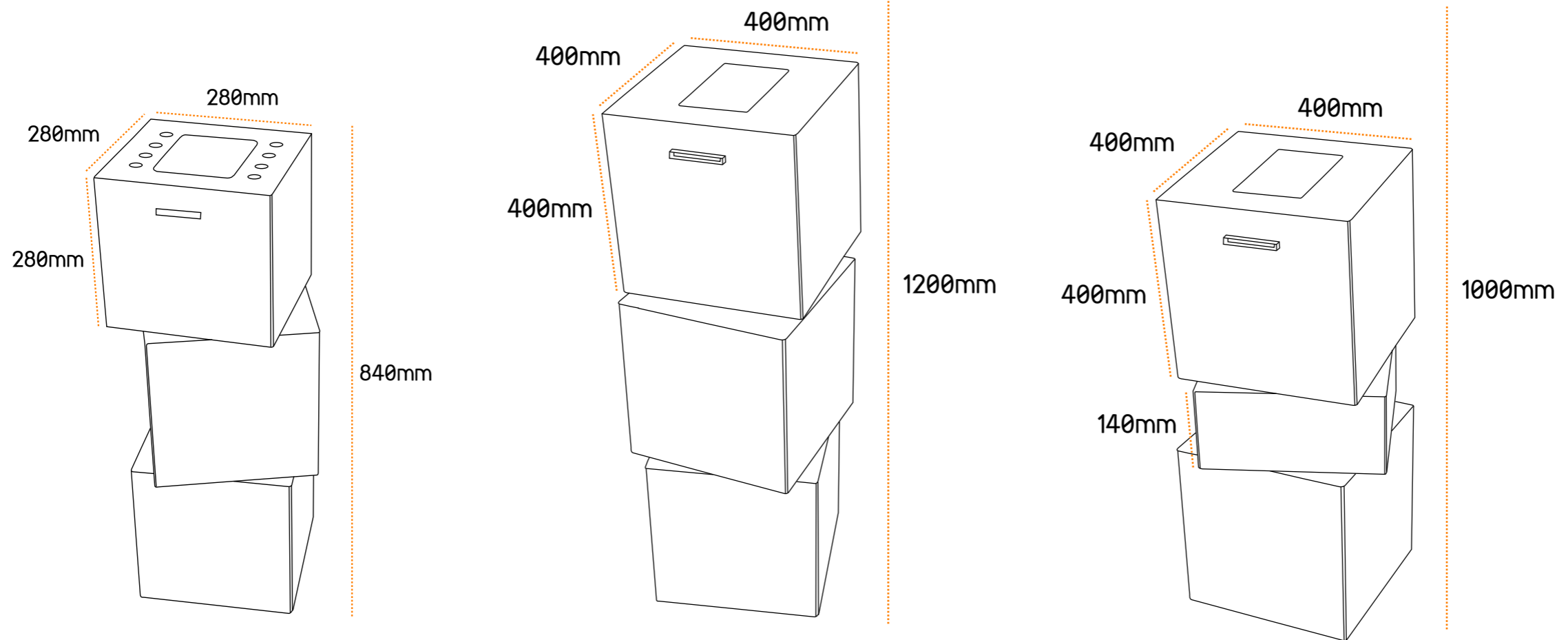
Distance comparison and main features

Kubik



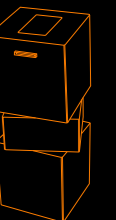
Kubik

Kiosk measures



These are some of the available settings. Other Settings are also possible with the cubes

The measures can have minor changes depending on the used components



Kubik

Technical data

Dimensions:

- H840 W280 D280 (Rubik model)
- H1000 W280 D280 (Rubik Touch model)

Weight:

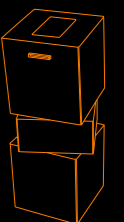
10 kg

Configuration:

- A decorative piece of technology
- MDF
- Stainless steel AISI304
- Ticket Printer
- Integration with software management service / queue waiting
- 8,4" Display (Rubik Touch model also available with display with other dimensions)

Computer

- Intel Atom CPU N450, 1.66 GHZ Processor
- 1GB Memory
- 150Gb HDD



oemKIOSKS | Your white label kiosk company

This document is provided only for information purposes. The presented information is subject to change without prior notice, given the constant evolution of content.
THE PARTTEAM GROUP is not responsible for any errors or omissions in this document, based on the information it contains, as a result of its publication.



oemKIOSKS | Partteam Group Portugal | Rua Nova da Nespereira, Pavilhão 10 | 4770 -287 Lagoa - Vila Nova de Famalicão
tel: +351 252 378 589 | +351 252 327 185 | fax: + 351 252 378 591 | Portugal
www.oemkiosks.com | oem@oemkiosks.com